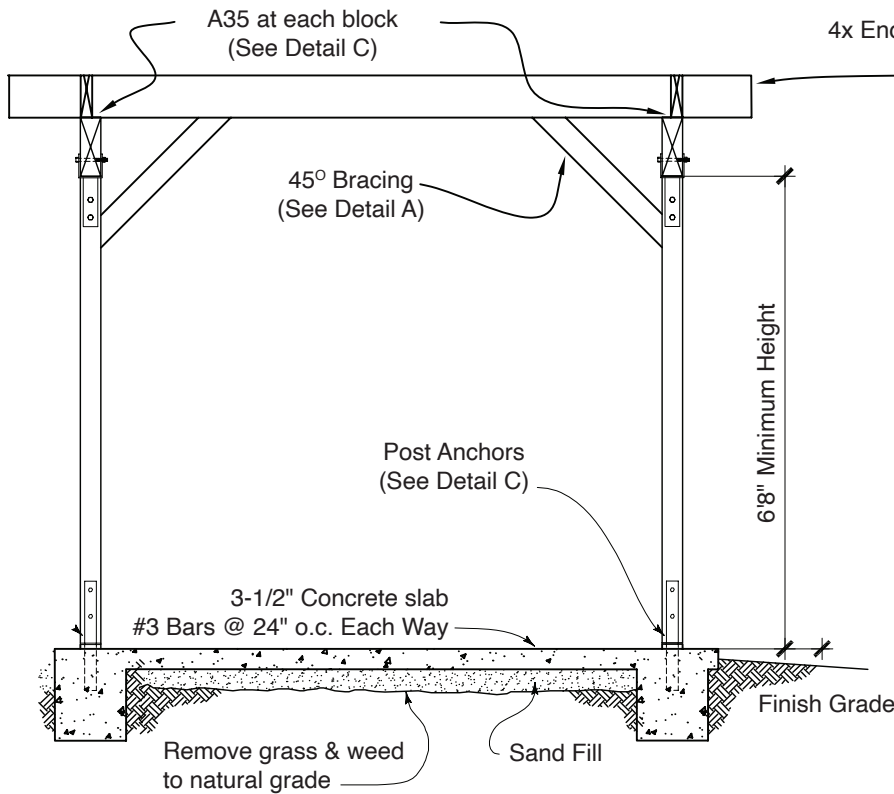




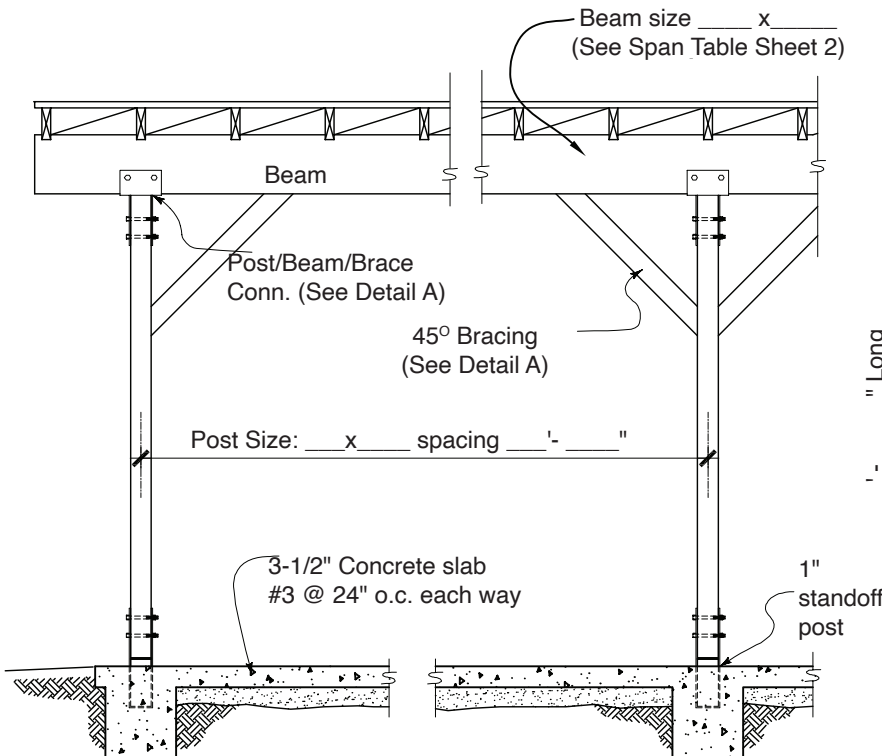
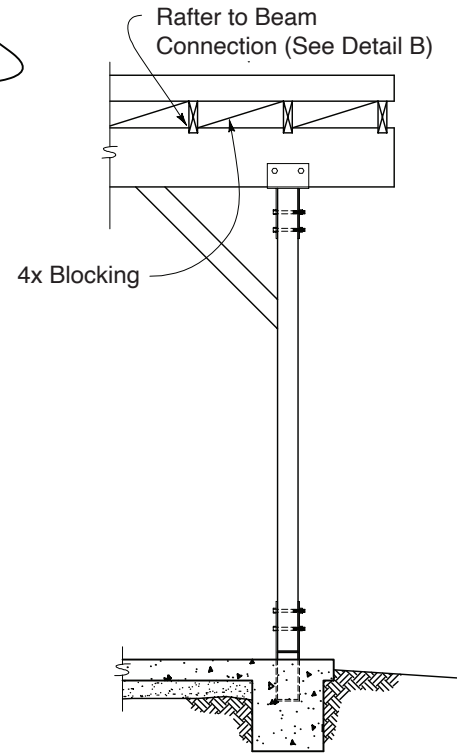
City of Ojai

Community Development: Building & Safety Division
401 South Ventura Street
Ojai, CA 93023
(805) 646-5581

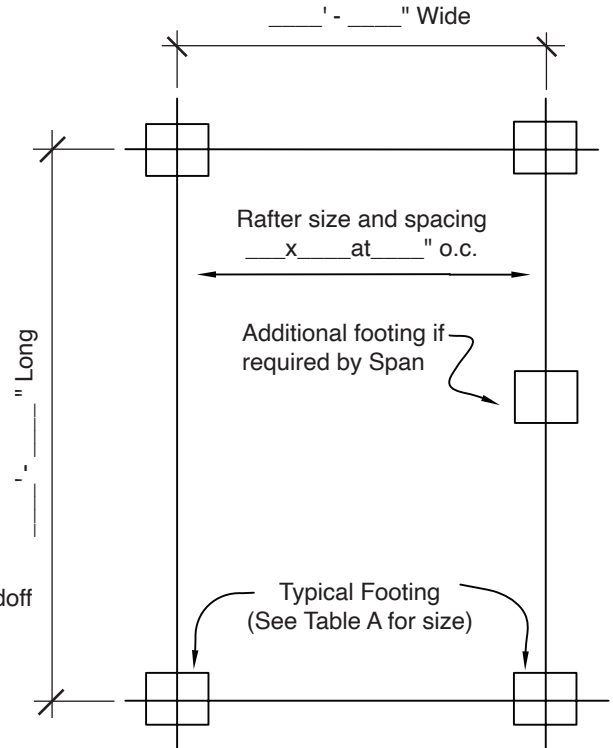
HEAVY TIMBER DETACHED PATIO COVER



CONSTRUCTION SECTION



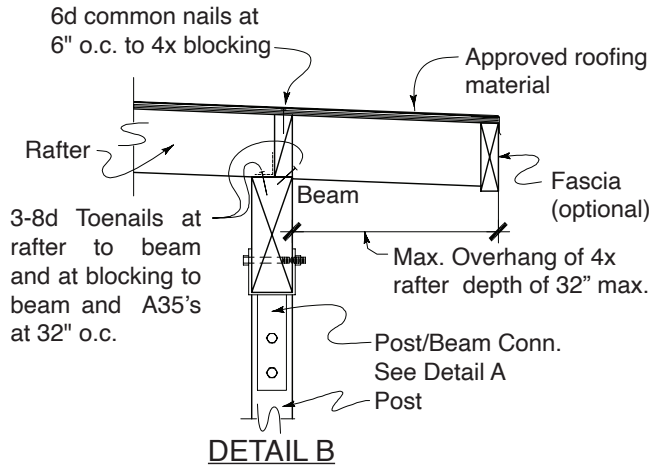
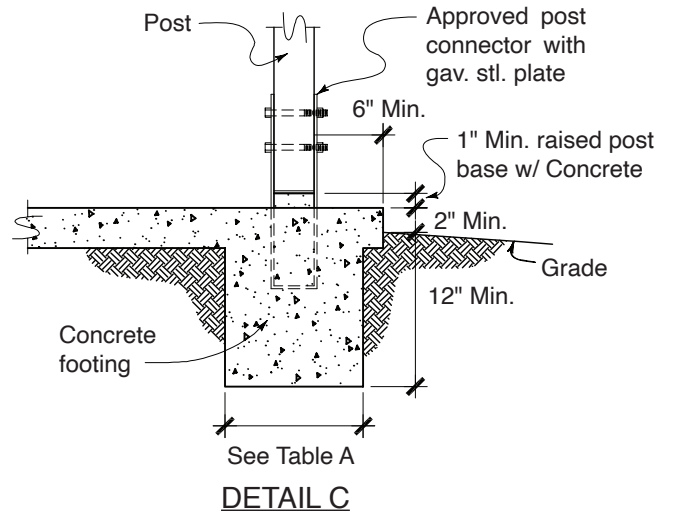
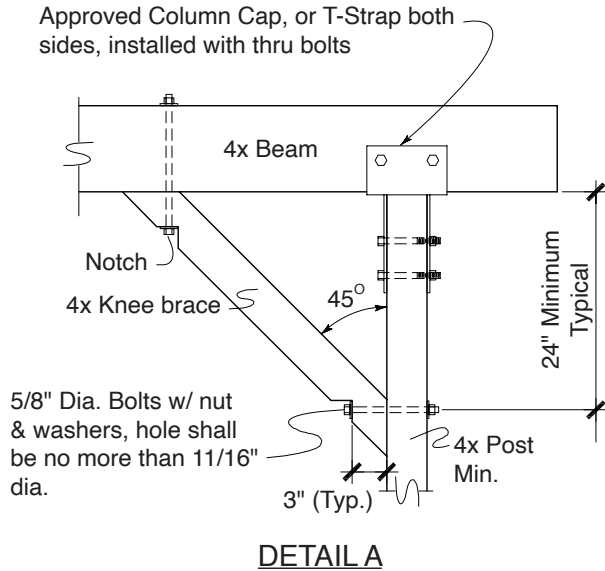
ELEVATION



FOOTING PLAN

ADDRESS: _____

PERMIT NO: _____



Footing Size Table A

Footing Size	Max. Supported Roof Area (Based on Detail E below)
12" square	50 sq. ft.
16" square	100 sq. ft.
20" square	150 sq. ft.
24" square	200 sq. ft.

RAFTER SPANS (DFL #2)

Rafter Size	Rafter Spacing				
	12"	16"	24"	32"	48"
4X6	16'-3"	14'-9"	12'-11"	11'-6"	10'-0"
4X8	20'-0"	19'-5"	17'-0"	15'-3"	12'-8"
4X10		20'-0"	20'-0"	18'-11"	15'-5"
4X12				20'-0"	17'-11"
4X14					20'-0"

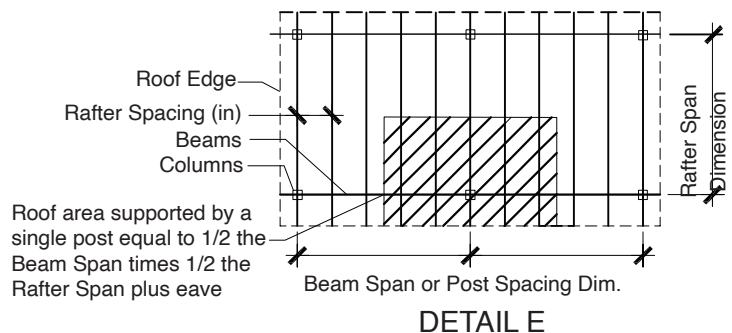
RAFTER SPANS (DFL #2)

Rafter Span	Beam Span									
	4x6	4x8	4x10	4x12	4x14	4x16	6x8	6x10	6x12	6x14
8'	10'-5"	13'-9"	16'-9"	19'-7"	20'-0"		16'-7"	20'-0"		
10'	9'-8"	12'-4"	15'-1"	17'-6"	19'-7"	20'-0"	15'-4"	18'-6"	20'-0"	
12'	8'-11"	11'-3"	13'-9"	16'-0"	17'-10"	20'-0"	14'-0"	16'-9"	19'-5"	
14'	8'-3"	10'-5"	12'-9"	14'-9"	16'-6"	19'-0"	12'-11"	15'-8"	18'-0"	20'-0"
16'	7'-8"	9'-9"	11'-11"	13'-9"	15'-5"	17'-10"	12'-1"	14'-8"	16'-10"	19'-9"
18'	7'-3"	9'-2"	11'-3"	13'-0"	14'-7"	16'-9"	11'-5"	13'-9"	15'-9"	18'-7"
20'	6'-11"	8'-9"	10'-8"	12'-4"	13'-10"	15'-11"	10'-9"	13'-1"	15'-0"	17'-8"

****Ojai is within a high fire hazard area. All combustible materials shall be fire rated materials. Prior to storing materials on-site a list of rated materials shall be provided to the Building Department.**

Loading: DL = 10 psf. (Roofing Material = 6 psf max.)
LL = 10 psf.

Loading assumes 3/4" ply for spans <24" and 4x decking for spans >24". Other designs are possible but evidence must be submitted to establish their adequacy. No stucco finishes or roofing material exceeding 6 psf w/o engineering. Footing bearing pressures account for load duration and allowable bearing pressures of 1500 psf.



INSTRUCTIONS

1. A building permit for a patio cover may be obtained using these City standard drawings. Simply fill in the blanks and information requested on these plans.
2. Draw a plot plan (instructions can be found on the City's "Sample Plot/Sit Plan" handout,) and bring three copies of the completed drawing to Building and Safety where it can be reviewed for Building and Zoning code requirements and permit issuance.
3. Deviations from the construction and designs shown in these drawings will require complete plans and details and must be reviewed by a plan check engineer prior to obtaining a building permit.

GENERAL NOTES

1. A patio cover is a one story structure that does not exceed 12 feet in height above the adjacent grade.
2. Patio covers shall be used for recreational, outdoor living purposes only and shall not be used as carports, garages, storage rooms or habitable rooms.
3. The longer side and one additional side of the patio shall be 65% open, below 6'8" above the floor. Openings may be enclosed with insect screening, approved translucent or transparent plastic not more than 1/8" thick or glass conforming to the provisions of Chapter 24 or any combination of the foregoing.
4. A one hour firewall is required when the exterior face of post/wall is located less than 5'0" from the property line.
5. Unless a licensed engineer or architect provides structural calculations to justify it, no patio cover/structure will attach to or rely upon the existing rafter tails or roof projection for the purposes of supporting the new structure.
6. Patio covers are for outdoor living only. Use of these structures as habitable space requires a building permit and alterations to both the patio cover and the house to comply with code requirements. Conversion to habitable space may require upgrades to your foundation system, roof framing, electrical, fire life safety and many other items. Also you may need to provide a vapor barrier under the slab, a reinforced slab and footing, new wall bracing, heating, energy forms and insulation for the space to be converted.
7. These drawings are examples of the way an open patio cover may be installed. Other methods may be used provided they are approved by this Department prior to installation. All material types and sizes are subject to the approval of this Department.
8. Posts may be supported on a 3-1/2" thick reinforced concrete slab on grade when posts support a combined live and dead load less than 750 pounds per column. Approved connectors between post and concrete slab shall be capable of withstanding uplift and wind forces.

TYPICAL ABBREVIATIONS

Conc. = Concrete	DL = Dead Load
Conn. = Connection	LL = Live Load
DFL = Douglas Fir Larch	psf = Pounds per Square Foot
Dia. = Diameter	psi = Pounds per Square Inch
Dim. = Dimension	o.c. = on center (spacing)
Ga. = Gauge	stl. = Steel
Galv. = Galvanized	> = Greater Than

REQUIRED INSPECTIONS

1. **FIRST INSPECTION:** shall be after excavation for the footing (before any concrete is poured) and verification of the solid wood backing for the ledger bolting.
2. **SECOND INSPECTION:** shall be the framing inspection when all framing has been completed. The roof sheathing and nailing will be inspected at this time.
3. **THIRD INSPECTION:** will be the final inspection after the roof covering has been installed.

CONSTRUCTION NOTES

1. Roof Covering shall be Class A or B. Rafters shall be sized based on the table shown on page 2. Patio covers utilizing this sheet shall have roofing assemblies weighing less than 10 psf, including asphalt or fiberglass shingles, cap sheets, build-up roofs, hot mopped assemblies and some light weight roofs. Use of heavy weight roofs including concrete, clay or slate tile or stucco soffits require calculations and plans by a licensed engineer.
2. Rafters shall be marked Douglas Fir Grade #2 or better, beams shall be marked Douglas Fir Grade #1 or better.
3. Concrete shall have a minimum strength of 2500 psi in 28 days.
4. Framing hardware shall be ICC approved for the intended use and installed per manufacturer's specifications using all recommended fasteners.
5. Roof sheathing shall be continuous over 2 or more rafters, face grain shall be perpendicular to supports and maximum span shall be as follows:

SHEATHING	SPAN RATING	MAXIMUM SPAN	NAILING
3/8" CDX Plywood	20/0	16" o.c.	6d common or deformed shank
1/2" CDX Plywood	24/0	24" o.c.	6d common or deformed shank
5/8" CDX Plywood	40/20	32" o.c.	8d common or deformed shank
3/4" CDX Plywood	48/24	36" o.c.	8d common or deformed shank
1-1/8" CDX Plywood	60/48	48" o.c.	10d common or deformed shank
1x nominal lumber		24" o.c.	2-8d at each lap
2x Decking		48" o.c.	2-16d at each rafter

(all nail spacing for plywood sheathing shall be 6" on center (o.c.) at edges and 12" o.c. in the field)